



# XS Wireless In-Ear Monitoring System



The XS Wireless IEM set includes everything you need for an easy start with personal monitoring. Defining new standards for simple, flexible, and reliable wireless connection in the professional UHF range, this system is designed to help you level up your sound, regardless of your tech experience.

Whether a rehearsal or live performance, on a club stage or for a worship service: Benefit from renowned Sennheiser sound and solid pro-grade wireless UHF reliability packed in a convenient and rugged system – letting you focus on playing your best.

## FEATURES

- Complete starter set for in-ear monitoring
- Reliable, easy-to-manage wireless connection in the professional UHF range
- Full control with flexible audio modes
- Focus mode to balance your personal mix
- Advanced features like EQ and limiter
- Easy frequency presets or detailed manual control
- Infrared sensor to sync multiple receivers easily to one transmitter

## DELIVERY INCLUDES

- XSW IEM EK Stereo Receiver
- XSW IEM SR Stereo Transmitter
- XSW BNC Antenna
- IE 4 In-ear headphones
- 2 AA batteries
- XSW Rack Mount Kit
- NT 12-5CW Power Supply + Country Adapter
- Quick Guide, Safety Guide, Compliance Sheet, Frequency Table

## PRODUCT VARIANTS

<b>XSW IEM SET (A)</b>	476-500 MHz	Art. no. 509146
<b>XSW IEM SET (B)</b>	572-596 MHz	Art. no. 509147
<b>XSW IEM SET (C)</b>	662-686 MHz	Art. no. 509148
<b>XSW IEM SET (E)</b>	823.2-831.8 MHz	Art. no. 509149
<b>XSW IEM SET (K)</b>	925.2-937.3 MHz	Art. no. 509150

## ACCESSORIES

<b>XSW Rack Mount Kit</b>	Art. no. 507351
<b>XSW Front Antenna Cables</b>	Art. no. 507468
<b>XSW IEM EK Belt Clip</b>	Art. no. 592582
<b>XSW IEM EK Battery Cover</b>	Art. no. 592583
<b>XSW BNC Antenna</b>	Art. no. 522419



# XS Wireless

## In-Ear Monitoring System

### SPECIFICATIONS

#### XSW IEM SR - Stereo Transmitter

RF characteristics	
Modulation	FM stereo
Frequency ranges (max. RF output power)	A: 476 - 500 MHz (30 mW) B: 572 - 596 MHz (30 mW) C: 662 - 686 MHz (30 mW) E: 823.2 - 831.8 MHz (30 mW) K: 925.2 - 937.3 MHz (10 mW)
Switching bandwidth	up to 24 MHz
Nominal/peak deviation	±15 kHz / ±24 kHz
Antenna output	BNC socket, 50 Ω

AF characteristics	
AF frequency response	45 Hz to 15 kHz
AF input BAL AF IN L (I) + MONO/ BAL AF IN R (II)	2x XLR-3/¼" (6.3 mm) jack combo socket, electronically balanced
Total harmonic distortion (THD)	<0.9 %
Signal-to-noise ratio (at nominal load and peak deviation)	≥88 dB

Overall device	
Temperature range	0 °C to +40 °C
Input rating	+12 V DC
Current consumption	Approx. 400mA (depending on volume level)
Dimensions	Approx. 200 x 128 x 42 mm
Weight	Approx. 700 g

### OVERVIEW





# XS Wireless In-Ear Monitoring System

## SPECIFICATIONS

### XSW IEM EK - Stereo Receiver

RF characteristics	
Modulation	Wideband FM
Frequency ranges	A: 476 - 500 MHz B: 572 - 596 MHz C: 662 - 686 MHz E: 823.2 - 831.8 MHz K: 925.2 - 937.3 MHz
Switching bandwidth	up to 24 MHz
Nominal/peak deviation	$\pm 15$ kHz / $\pm 24$ kHz
Squelch	10 $\mu$ V, fixed

AF characteristics	
Signal-to-noise ratio (1 mV, peak deviation)	$\geq 88$ dB
Total harmonic distortion (THD)	$\leq 1$ %
AF output level at 3.5 mm	2 x 1,25 V <sub>eff</sub> at 16 $\Omega$
High Boost (EQ)	+10 dB at 13 kHz
Limiter	-10 dB
AF frequency response	45 Hz to 15 kHz
Cross talk (50 Hz - 10 kHz)	typically 45 dB

Overall device	
Temperature range	0 °C to +40 °C
Power supply	2 AA batteries, 1.5 V
Nominal voltage	3 V battery
Operating time	Approx. 6 hrs (depending on volume level)
Dimensions	Approx. 95 x 70 x 26 mm
Weight (incl. batteries)	Approx. 110 g

### IE 4 - In-ear headphones

Transducer	dynamic
Frequency response	40-20.000 Hz
SPL (1 kHz, 1 mW)	106 dB
Nominal impedance	6 $\Omega$
Cable length	1.4 m
Connector	3.5 mm (1/8") stereo plug, gold-plated
Temperature	-5 °C (23 °F) to +50 °C (122 °F)

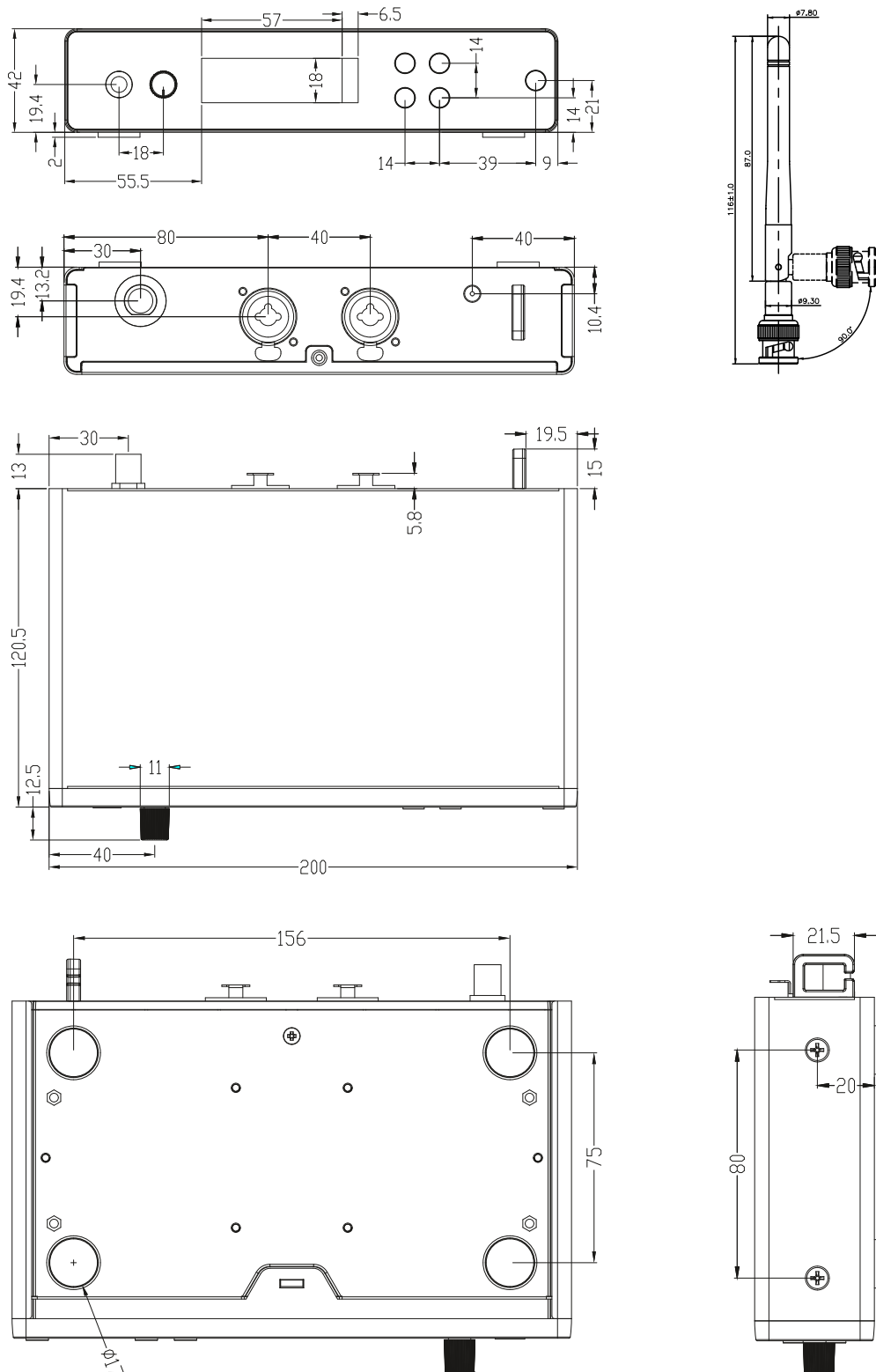




# XS Wireless In-Ear Monitoring System

## DIMENSIONS

### XSW IEM SR - Stereo Transmitter

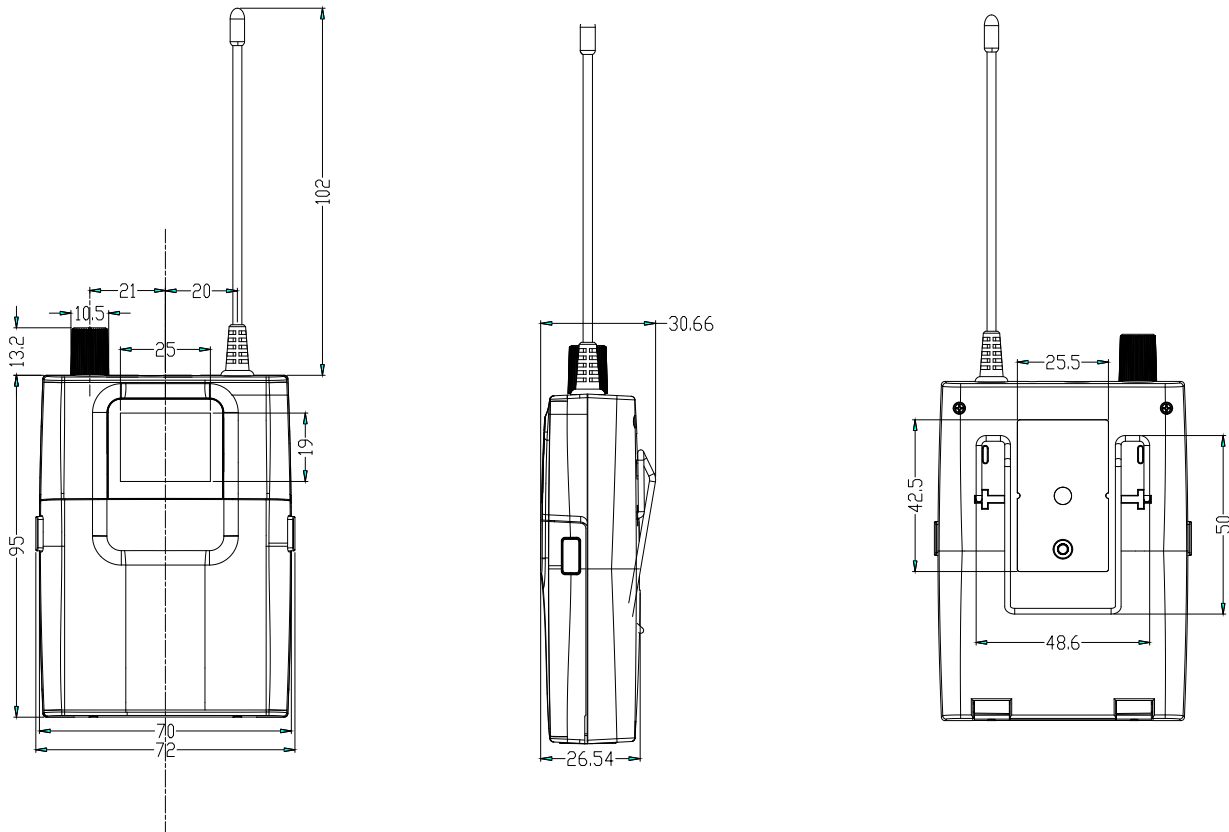




# XS Wireless In-Ear Monitoring System

## DIMENSIONS

### XSW IEM EK - Stereo Receiver





# XS Wireless In-Ear Monitoring System

## DIMENSIONS

### IE 4 - In-ear headphones

